

OP-6510



The OP-6510 is an audio intercom allowing clear conversations when communications are altered by the presence of double glazing, security screen, or other counter security systems.

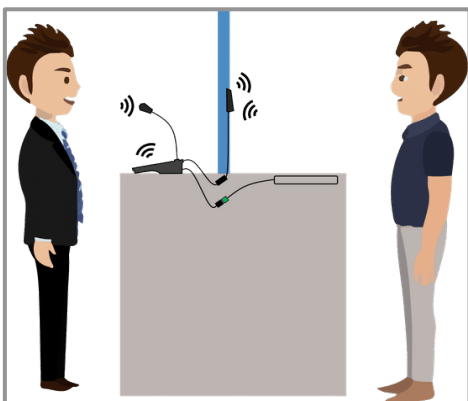
It makes conversation easier for hard of hearing people struggling to understand clearly a conversation partner wearing a mask.

Paired with a DCL20 loop amplifier, the OP-6510B makes reception desks more accessible for hearing-impaired people. Hearing aid users, will be able to hear and communicate easily, even in noisy environments.

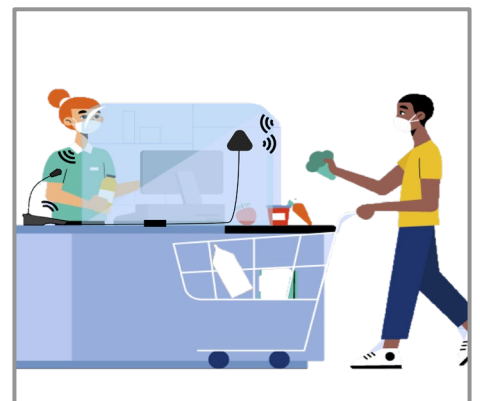
Applications

Designed to be use in any situation involving personal communication at a counter, booth or office.

- Duplex Class D System
- Ultra compact Design
- Speaker and microphone on surface
- With or without induction loop
- Three different scene modes (noise/standard/quiet)
- Analog output on the interface to record conversations
- DSP (Digital Signal Processing)
- Norms
 - Certified CE, ROHS & WEEE
 - EN 60118-4 (OP-6505B only)



- Bank
- Post Office
- Theater
- Information Center
- Airport
- Money exchange

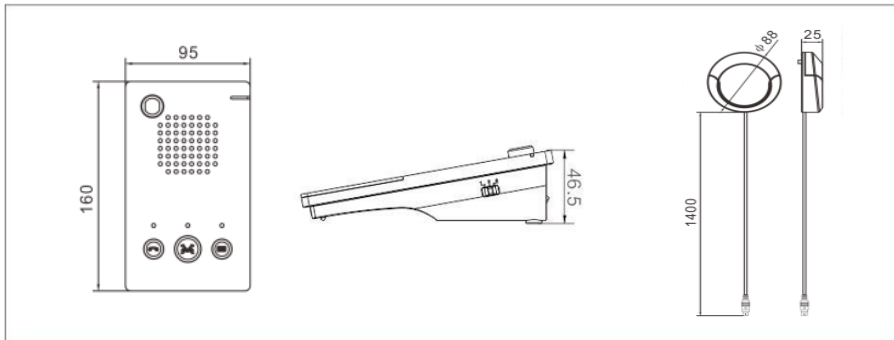


OP-6510

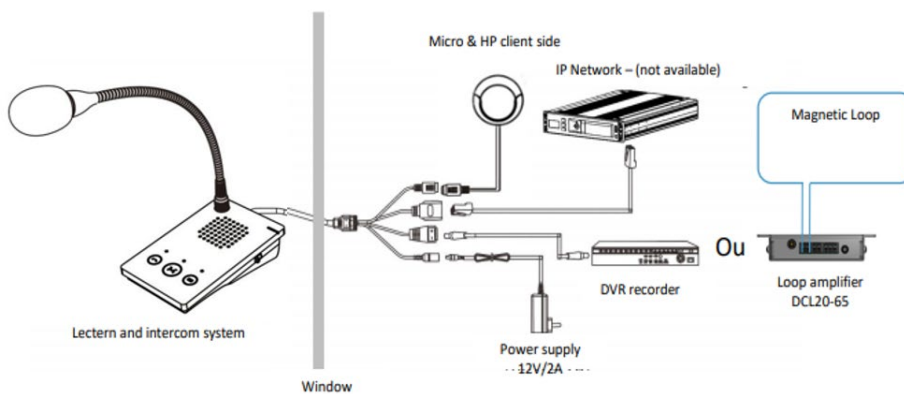
Technical characteristics

OP-6510	
Power Supply & Voltage	DC 12V ≤5W
Working temperature & Humidity	-20°C ~ 70°C, ≤90%RH (no condensation)
AUDIO CHARACTERISTICS	
Audio Latency	None
Audio coding	PCM / AAC/MP3/MP2
S/N (Signal to noise ratio)	≥90dB
Frequency response	20Hz~16kHz
Audio Sampling	8kHz~32kHz
DIMENSIONS (MM)	
Receptionist microphone	160x95x46,5 – 0,6kg
Speaker-Microphone	102x83x24 – 0,2kg

Product Dimensions



Wiring Diagram



Product references

Reference	Designation
OP-6510	Digital counter intercom with full touch button round version
OP-6510B	Digital counter intercom round version with induction loop
DCL20-65	DCL20 loop amplifier with power supply and induction loop