

## OP-6505H



The OP-6505H is a speech transfer system designed to improve communication at fixed screen counters. Integrating a DSP technology a Full duplex system and a headset with microphone, it is particularly efficient when communications are altered by the presence of double glazing, security screen, or other counter security systems.

Paired with a DCL20 loop amplifier, the OP-6505HB makes reception desks more accessible for hearing-impaired people. Hearing aid users, will be able to hear and communicate easily, even in noisy environments

Its full tactile pad, makes it easy to clean and provide unlimited number of push, for a long term and intensive usage.

Easy to install, it will offer your customers clear one to one communications at all your reception desk!

### Applications

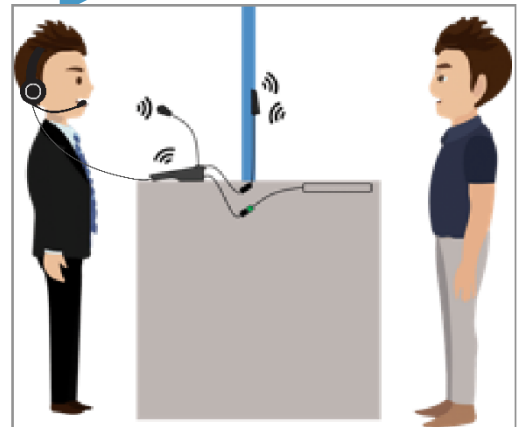
Designed for use in any situation involving personal communication with a counterpart at a counter, booth or office, such as:

- Banks
- Post Offices
- Theaters
- Information Centers
- Airports

- Full Duplex Class D system
- Touch key
- Headset with microphone
- Ultra compact Design
- Speaker and microphone protruding
- With or without magnetic loop
- Three possible listening modes (quiet / standard / noisy)
- Analog output on the interface to record conversations
- **Norms**
  - CE compliant, ROHS et WEEE
  - EN 60118-4 for the magnetic loop part

### Detail of product references

Reference	Designation
OP-6505B	Digital counter intercom with touch pad and magnetic loop
OP-6505	Digital counter intercom with touch pad
DCL20-65	DCL20 loop amplifier with power supply and loop

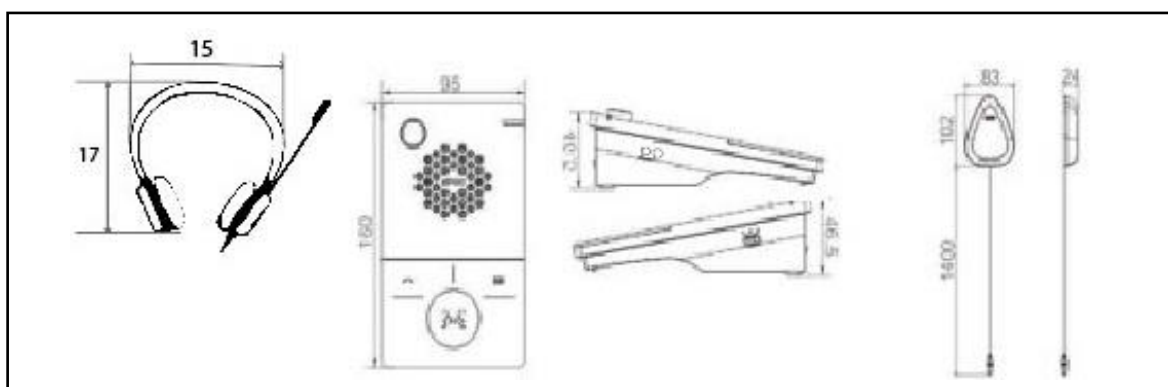


# OP-6505H

Technical characteristics

OP-6505	
Agent microphone	1 x power port, 1x RJ45, 1x PS/2, 1x 2P recording output
Speaker-Microphone (customer side)	1x PS/2
Power supply voltage	DC 12V/1,5A ≤5W
Operating temperature and humidity	-10°C ~ +50°C, <90%RH (no condensation)
AUDIO CHARACTERISTICS	
Audio	AAC, MP3
Speaker unit	4Ω 3W Speaker
Deadline for receiving the voice	No late
Signal to noise	≥90dB
Bandwidth	20Hz~16kHz
Audio sampling	16kHz~32kHz
Headset	Stéréo
DIMENSIONS (MM)	
Agent microphone	160x95x46,5 – 0,62kg
Speaker-Microphone (customer side)	102x83x24 – 0,2kg
Headset	Stéréo : 151,2 x 59,5 x 170,4 mm

Product dimensions:



Wiring diagram:

