

## OP-6502IP/ OP-6502IP-B



The OP-6502IP Speech Transfer System provides assistance for clear communications when speech is impaired by the use of glass, security screen or other counter security systems.

This IP networked counter intercom offers many features such as remote software recording, the ability to communicate with another counter intercom or other wall-mounted intercom units (see options).

The central unit integrates a DSP that automatically controls the level when the microphone picks up sudden and deafening noises, the DSP also helps to limit the effects of feedback.

This same system, supplied with the DCL20 loop amplifier called OP-6502B, makes the reception area accessible for people with hearing loss. Hearing instrument wearers will be able to hear and communicate easily, even in complicated environments.

- Full-duplex HD digital intercom
- Use on IP network
- Tactile touch
- Remote call on other boards
- Personalized voice message
- With or without magnetic loop
- Three possible listening modes (quiet / standard / noisy)
- Analog output on the interface to record conversations

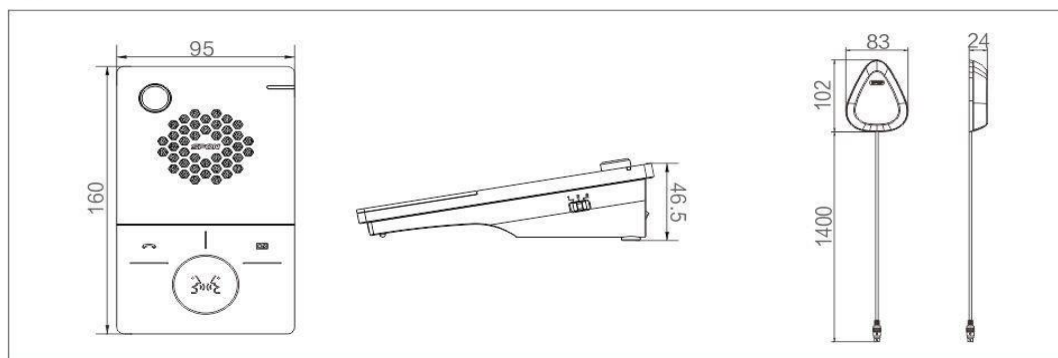
### Detail of product references

Référence	Designation
OP-6502IP-B	Digital IP counter intercom with touch pad and magnetic loop.
OP-6502IP	Digital IP counter intercom with touch pad
DCL20-65	Loop amplifier DCL20 with power supply and loop

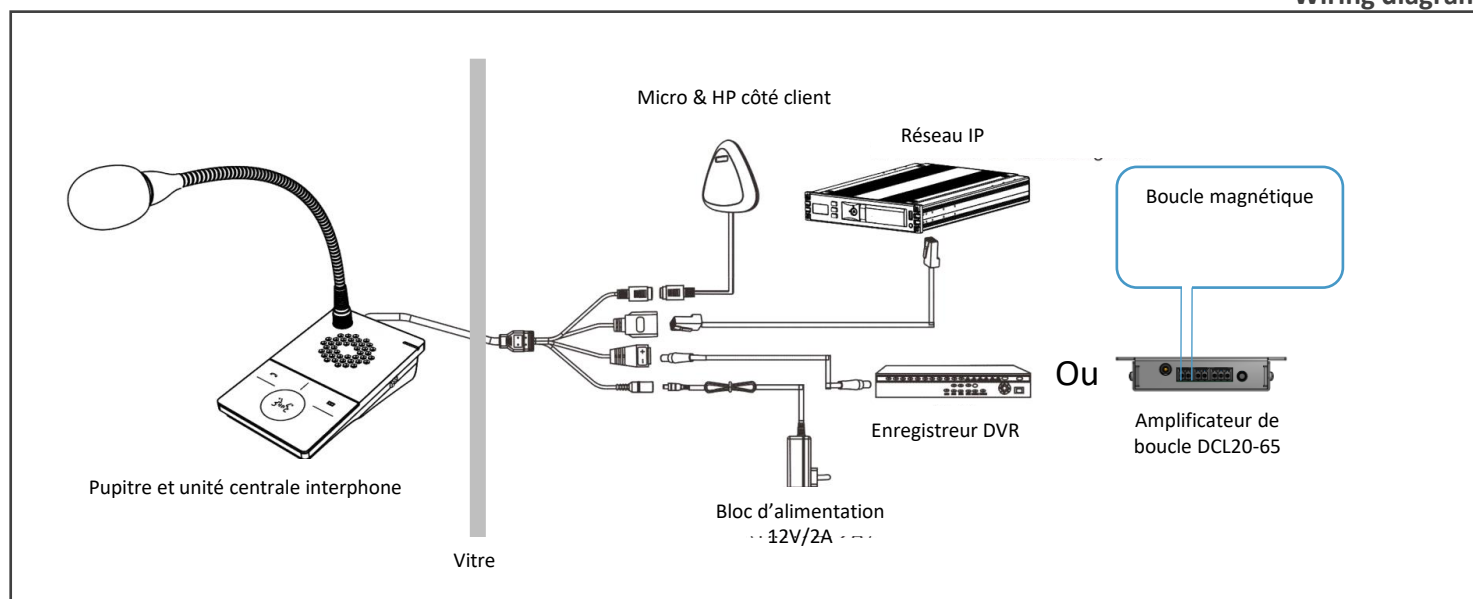
# OP-6502IP/ OP-6502IP-B

Technical specifications

OP-6505	
Power consumption	DC 12V ≤5W
Working temp & RH	-20°C ~ +55°C, ≤90%RH (pas de condensation)
AUDIO FEATURES	
Deadline for receiving the voice	Pas de retard
Audio Coding	PCM / AAC
Audio sampling	8kHz à 32kHz
DIMENSIONS (MM)	
Microphone	160x95x46,5 – 0,6kg
speaker microphone	102x83x24 – 0,2kg
RESEAU	
Network protocole	TCP/、ARP、IGMP/IP、UDP、IGMP、ICMP CODE AUDIO PCM/AAC



Wiring diagram



## OP-6502IP/ OP-6502IP-B

### Associated product



#### OP-CU65

Unité centrale IP de contrôle des platines des interphones OP-A/B/C65.

#### OP-A65

Platine d'appel mural de mise en relation avec l'interphone de comptoir.

#### OP-B65

Platine d'appel mural de mise en relation (2 zones équipées) avec l'interphone de comptoir.

#### OP-C65

Platine compacte

Désignation	OP-CU65	OP-A65	OP-B65	OP-C65
Power consumption	DC 12V ≤23W	/	/	/
Audio sampling & bit rate	8kHz~44.1kHz – 16bit	/	/	/
Network protocol	TCP, ARP, IGMP,UDP,ICMP	/	/	/
Working temp & RH	-10°C ~ +70°C, ≤90%RH (pas de condensation)	-20°C ~ +70°C, ≤90%RH (pas de condensation)	-20°C ~ +70°C, ≤90%RH (pas de condensation)	-20°C ~ +70°C, ≤90%RH (pas de condensation)
Dimensions (mm) & weight	210x155x45 0,5kg	115x166x32 0,8kg	115x166x32 0,8kg	67x155x30 0,3kg

# OP-6502IP/ OP-6502IP-B

## Application

