

OP-6505



The OP-6505 speech transfer system provides support for clear communications when speech is impaired by the use of glass, a security screen, or other counter security systems.

This same system provides with the DCL20 loop amplifier called OP-6505B, makes accessible home for hearing-impaired people. Hearing aid wearers will be able to hear and communicate easily, even in complicated environments TH.

- Duplex Classe D Amplifier
- Touch key
- Ultra compact Design
- Speaker and microphone protruding
- With or without magnetic loop
- Three possible listening modes (quiet / standard / noisy)
- Analog output on the interface to record conversations

Applications

Designed for use in any situation involving personal communication with a counterpart at a counter, booth or office, such as:

- Banks
- Post Offices
- Theaters
- Information Centers
- Airports

Detail of product references

Reference	Designation
OP-6505B	Digital counter intercom with touch pad and magnetic loop
OP-6505	Digital counter intercom with touch pad
DCL20-65	DCL20 loop amplifier with power supply and loop

Norms

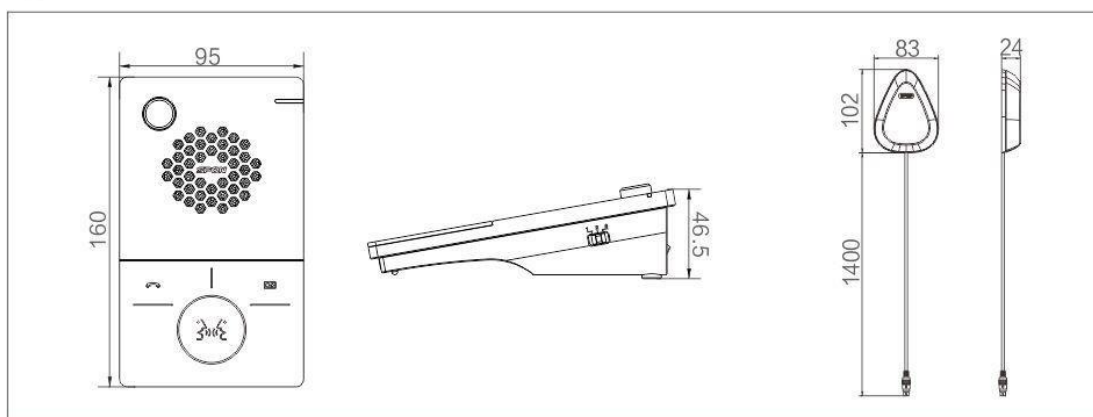
- CE compliant, ROHS et WEEE
- EN 60118-4 for the magnetic loop part

OP-6505

Technical characteristics

OP-6505	
Power supply voltage	DC 12V ≤5W
Operating temperature and humidity	-20°C ~ +60°C, ≤90%RH (no condensation)
AUDIO CHARACTERISTICS	
Deadline for receiving the voice	Not late
Audio coding	PCM / AAC
Audio sampling	8kHz à 32kHz
DIMENSIONS (MM)	
Agent microphone	160x95x46,5 – 0,6kg
Speaker-Microphone	102x83x24 – 0,2kg

Dimensions produced



Synoptic of wiring

